



Science.
Applied to Life.™

Reduce corrosion and save money.

3M™ Aircraft Interior
Corrosion Prevention
and Protection Tapes

Simplify the moisture protection systems for aircraft interior floors.

The floors of aircraft entryways, galleys, lavatories and cargo compartments are vulnerable to frequent sources of moisture. Fluids from spills and leaks can migrate into the underlying floor support system, and condensation can form on sub-floor structures which can lead to corrosion. The resulting corrosion damage can weaken the entire sub-floor structure and result in costs up to \$100,000 per aircraft, in addition to downtime.

3M™ Aircraft Interior Corrosion Prevention and Protection Tapes are designed to help reduce maintenance costs and increase service life of aircraft interior floor systems.



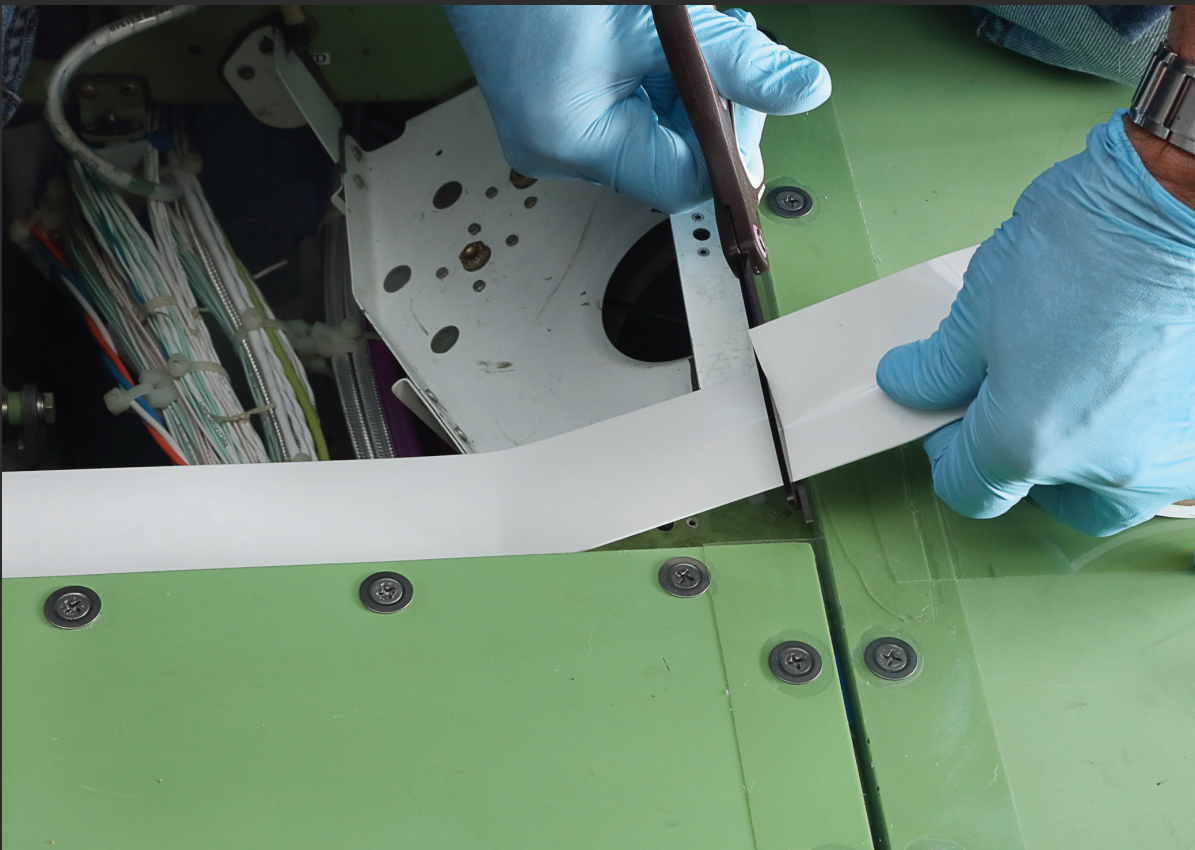
Corrosion prevention system



Clean removal



Easy to apply



Direct to Metal Subfloor Corrosion Protection

3M™ Corrosion Prevention Sealing Tape 9143FR

- ▶ Easy removal with little to no residue
- ▶ Excellent corrosion resistance
- ▶ Exceptional shop handling
- ▶ FAA PMA pending
- ▶ Flame Resistant per 14 CFR 25.853 (a), Appendix F, Part I (a) (1) (ii), 12-second vertical burn¹

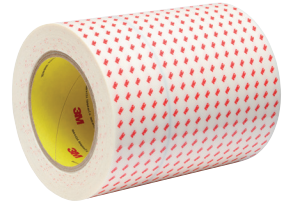


Wide Area Protection

Covers large areas of flooring and protects around transitions/terminations. Creates a waterproof barrier to keep fluids above the floor.

3M™ Polyurethane Protective Tape 8657DL

- ▶ 16 mil polyurethane backing
- ▶ 2 mil pressure-sensitive adhesive
- ▶ See table below for qualified OEM specifications



3M™ Polyurethane Protective Tape 8663DL

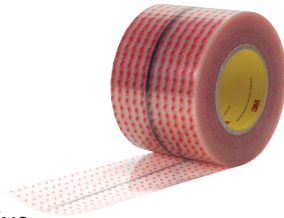
- ▶ 16 mil polyurethane backing
- ▶ 2 mil pressure-sensitive adhesive
- ▶ See table below for qualified OEM specifications



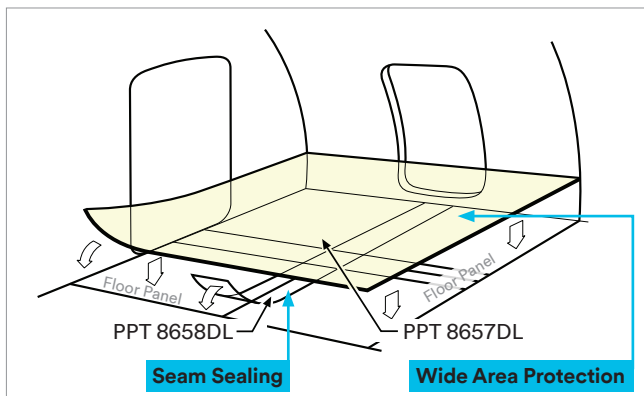
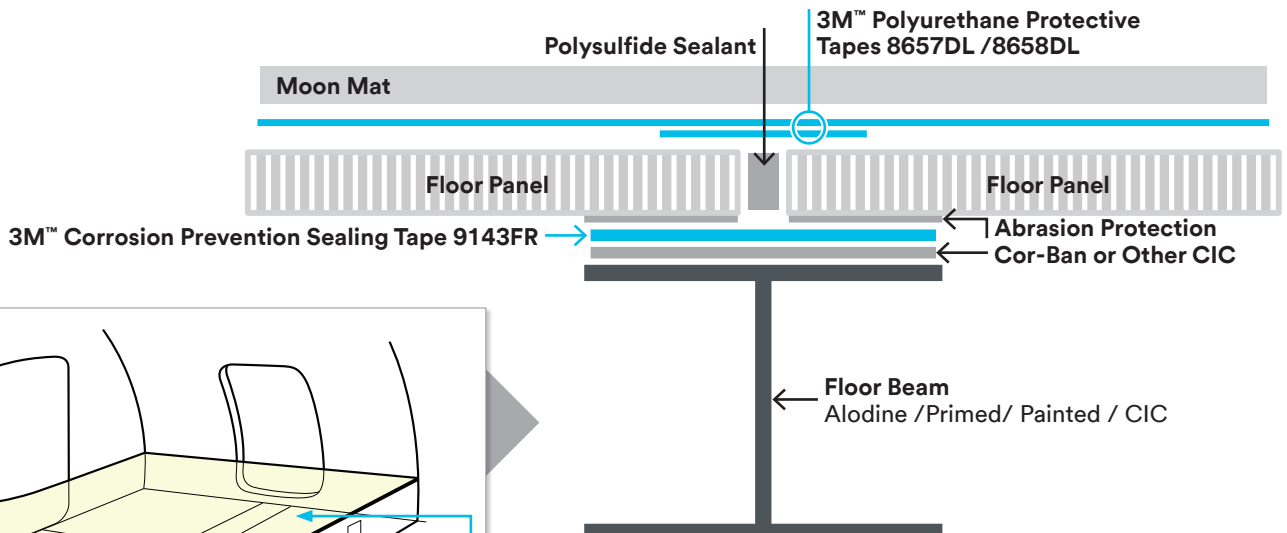
Seam Sealing

3M™ Polyurethane Protective Tape 8658DL

- ▶ Covers the seam between floorboard panels
- ▶ Transparent to allow visual inspection of sealant
- ▶ 6 mil polyurethane backing
- ▶ 3 mil pressure-sensitive adhesive
- ▶ See table below for qualified OEM specifications



This installation can help reduce corrosion related maintenance costs.



Ordering Information

3M™ Aircraft Interior Corrosion Prevention and Protection Tapes

Product	Roll Size	Packaging	SAP I.D.	3M ID Number
3M™ Polyurethane Protective Tape 8658DL	4 in. x 3 yds. Sample	1/Carton	7100003602	70-2022-8018-9
	24 in. x 36 yds.	2/Carton	7100015837	70-2022-8019-7
	Misc. Custom Sizes	Custom	7100012234	70-2022-8020-5
3M™ Polyurethane Protective Tape 8657DL	4 in. x 3 yds. Sample	1/Carton	7100003606	70-2022-8016-3
	24 in. x 36 yds.	1/Carton	7000055332	70-2022-8017-1
	Misc. Custom Sizes	Custom	7100063826	70-2022-8015-5
3M™ Polyurethane Protective Tape 8663DL	4 in. x 36 yds.	2/case	7000001193	70-0061-7715-1
	36 in. X 36 yds.	1/case	7000021298	70-0061-7716-9
	Misc. Custom Sizes	Custom	7100009953	70-0000-8412-2
3M™ Corrosion Prevention Sealing Tape 9143FR	0.75 in. x 4 yds.	16/case	7100283413	70-2022-8286-2
	1.25 in. x 4 yds.	9/case	7100283419	70-2022-8282-1
	2.25 in. x 4 yds.	5/case	7100283420	70-2022-8284-7
	2.5 in. x 4 yds.	5/case	7100283401	70-2022-8285-4
	3.0 in. x 4 yds.	4/case	7100283403	70-2022-8287-0
	3.75 in. x 4 yds.	3/case	7100283416	70-2022-8283-9
	24 in. x 4 yds.	1/case	7100283421	70-2022-8288-8
	Misc. Custom Sizes	Custom	7100284584	70-2022-8289-6

Qualified OEM Specifications

Product	Documentation	Applicable Platforms	Unique Feature
For Wide Area Protection			
3M™ Polyurethane Protective Tape 8657DL	Boeing Material Specification BMS 8-346, Rev. D (Type II Class 4) Comac Material Specification CMS-AD-202, Rev. C (Type II, Class 2) Embraer Specification MEP 18-051, Initial Issue Type 1 — Embraer Code E9193047	Boeing Aircraft Comac Aircraft Embraer E2 Jets	Stand-Alone FR-Rated
3M™ Polyurethane Protective Tape 8663DL	Airbus Individual Product Specification IPS 10-05-003-01, Issue 3 Airbus Material Specification AIMS 10-05-003, Issue 2 Airbus Technical Specification AIMS 10-05-000, Issue 30 Airbus Standard ABS5725, Issue 5 Product Designation 5725ML	Airbus A318 Airbus A319 Airbus A320 Airbus A321 Airbus A310 Airbus A330 Airbus A340 Airbus A380	Qualified to OEM specifications and approved in multiple maintenance manuals
For Seam Sealing			
3M™ Polyurethane Protective Tape 8658DL	Boeing Material Specification BMS 8-346, Rev. D (Type II Class 1) Comac Material Specification CMS-AD-202, Rev. C (Type II, Class 1) Embraer Specification MEP 18-051, Initial Issue Type 2 — Embraer Code E9193170 Bombardier Material Specification 535-007	Boeing Aircraft Comac Aircraft Embraer E2 Jets Airbus A220	Stand-Alone FR-Rated

Contact your 3M Aerospace Sales Representative or authorized 3M distributor for more information.



14 CFR 25.853 (a)

8657, 8658, and 9143FR products are flame resistant and meet 14 CFR 25.853 (a), Appendix F, Part 1 (a)(1)(ii), 12-second vertical burn¹

¹ Tested in accordance with 14 CFR 25.853 (a) Appendix F, Part 1 (a)(1)(ii), 12-second vertical burn per FAA Policy Statement PS-ANM-25.853-01-R2, Reference 21, Option 1 (in a stand-alone mode, cut tape sample of nominal size: 3" x 12") and FAA Policy Statement PS-ANM-25.853-01-R2, Reference 21, Option 3 (bonded to a worst case substrate). Installation approval is the responsibility of the design approval holder or the aircraft owner/operator.

Authorization to Use: Ensure products meet all applicable specifications, standards, and maintenance manual requirements for the platform being worked on and validate all aircraft approvals against current technical documentation.

These products are manufactured under a 3M Quality Management System registered to AS9100.

Product Use: Many factors beyond 3M's control and uniquely within user's knowledge and control can affect the use and performance of a 3M product in a particular application. Given the variety of factors that can affect the use and performance of a 3M product, user is solely responsible for evaluating the 3M product and determining whether it is fit for a particular purpose and suitable for user's method of application.

Warranty and Limited Remedy: Unless an additional warranty is specifically stated on the applicable 3M product packaging or product literature, 3M warrants that each 3M product meets the applicable 3M product specification at the time 3M ships the product. 3M MAKES NO OTHER WARRANTIES OR CONDITIONS, EXPRESS OR IMPLIED, INCLUDING, BUT NOT LIMITED TO, ANY IMPLIED WARRANTY OR CONDITIONS OF MERCHANTABILITY OR FITNESS FOR A PARTICULAR PURPOSE OR ANY IMPLIED WARRANTY OR CONDITION ARISING OUT OF A COURSE OF DEALING, CUSTOM OR USAGE OF TRADE. If the 3M product does not conform to this warranty, then the sole and exclusive remedy is, at 3M's option, replacement of the 3M product or refund of the purchase price.

Limitation Of Liability: Except where prohibited by law, 3M will not be liable for any loss or damage arising from the 3M product, whether direct, indirect, special, incidental, or consequential regardless of the legal theory asserted, including warranty, contract, negligence or strict liability.

Please recycle. Printed in USA. 3M is a trademark of 3M. © 3M 2024. All rights reserved. Issued: 4/24 8872H 60-9700-0369-9



3M Automotive & Aerospace Solutions Division



tewipack Uhl GmbH
Industriestraße 15
D-75382 Althengstett
www.tewipack.de

info@tewipack.de
T +49 (7051) 9297 0
shop.tewipack.de