

Technical data sheet



Product: AIRFLOW 3

Manufacturer: MEDMIX

Product group: KLEBSTOFF

Article group: KLEBEPISTOLE

Download: 05.04.2026

COX™ AIRFLOW 3™ COMBI HP 600ML

This data sheet was provided to you by Tewipack Uhl GmbH. The company tewipack Uhl GmbH assumes no responsibility for the topicality and the Accuracy of the information contained. The properties of the products can vary due to various influences such as composition and condition of the Substrate, impurities in or on the substrate, temperature and humidity at the Change storage and environmental conditions during use. Using this product in combination with other material, the customer is responsible for to check through our own tests whether the product is suitable for the planned combination and whether this combination delivers the expected results

Tewipack Uhl GmbH
Industriestraße 15
D-75382 Althengstett

Telephone:
+49(0)7051/9297-0
Fax:
+49(0)7051/9297-99

E-Mail:
info@tewipack.de
Website:
www.tewipack.de

Managing director:
Alexander Uhl,
Michael Uhl
HRB 330424
Amtsgericht
Stuttgart

Bank details:
Sparkasse
Sindelfingen
Pforzheim
Calw
BLZ 666 500
85
Konto 17 787

Commerzbank
Sindelfingen
BLZ 603 400 71
Konto 8 001 166

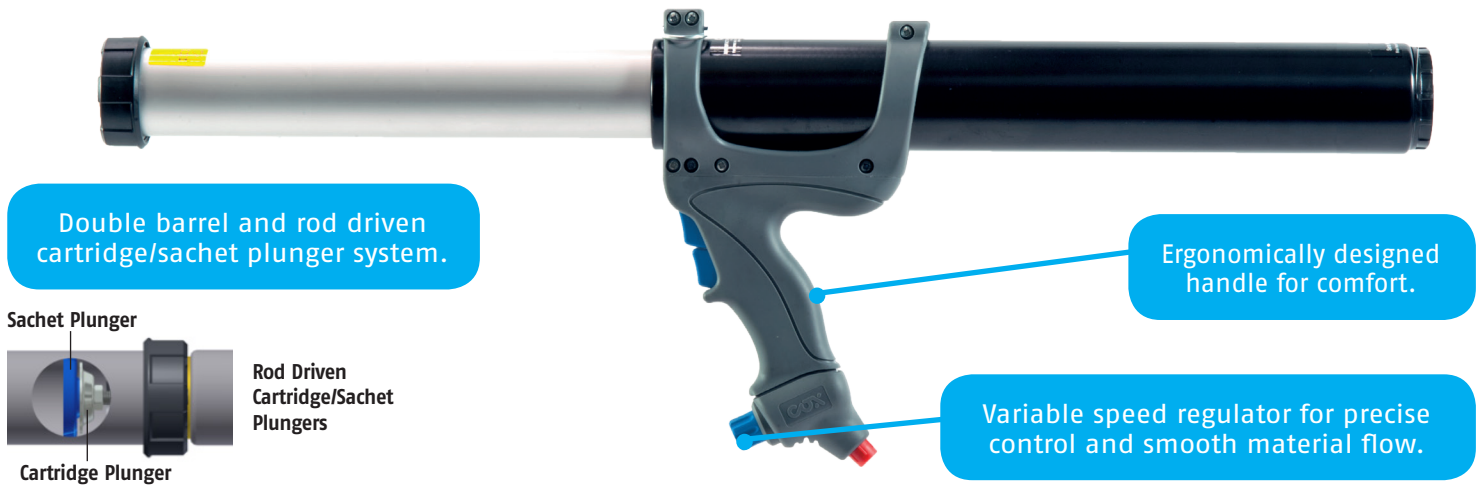
Vereinigte
Volksbank AG
Böblingen
BLZ 603 900 00
Konto 80 089
003

Postbank
Stuttgart
BLZ 600 100
70
Konto 146
294 708

Airflow 3™

COMBI HP 600ml

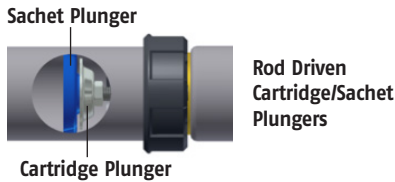
A single component pneumatic bead applicator for cartridges and sachets



Double barrel and rod driven cartridge/sachet plunger system.

Ergonomically designed handle for comfort.

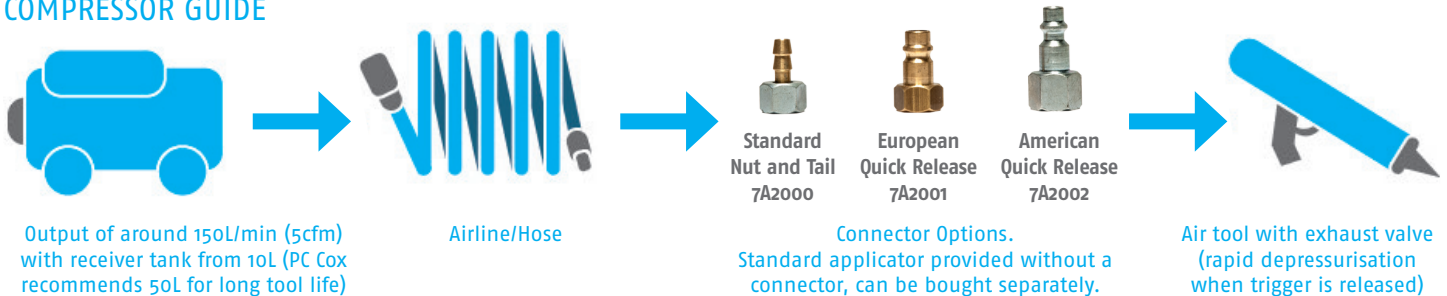
Variable speed regulator for precise control and smooth material flow.



PRODUCT FEATURES:

- Very powerful tool for high viscous materials 8.5bar (125psi).
- Built-in silencer (less than 70dB) for user-friendly environment.
- 63.5mm (2.5") back barrel for more pneumatic power output.
- Air return feature: by pressing the air return button the rod and plunger configuration pulls back, ready to be loaded with a new cartridges/sachet. This feature can also be used for loading (sucking) bulk material into the barrel.

COMPRESSOR GUIDE



The Cox Airflow 3 is part of a range of mid-powered pneumatic applicators. Designed for use with medium to high viscosity sealants and adhesives, the Airflow 3 is ideal for professional and semi-professional users.

For more information call +44(0)1635 264500
Or visit www.pccox.co.uk

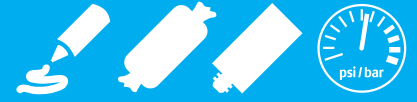


The original

TECHNICAL DATASHEET

Airflow 3™ COMBI HP 600ml

A single component pneumatic bead applicator for cartridges and sachets



APPLICATIONS:

- For medium to high viscosity
- Cartridge: 1-component
- Cartridge volumes: 310ml, 400ml
- Sachet volumes: 310ml, 400ml, 600ml

SPECIFICATIONS:

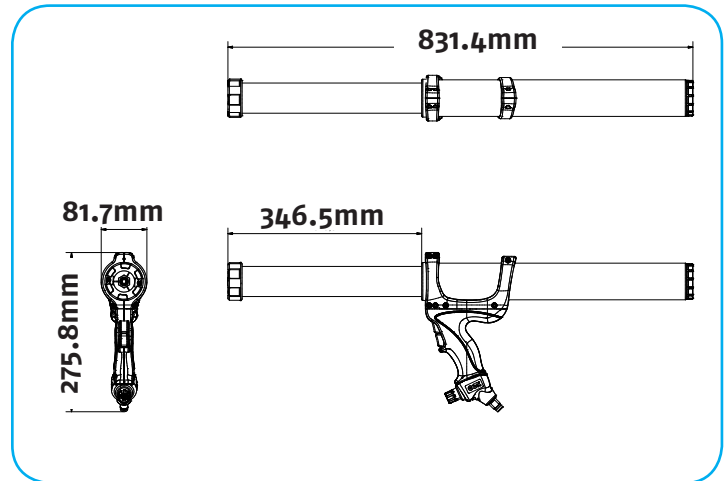
- Max Pneumatic Pressure: 8.5bar (125psi) (others available)
- Barrel Length: 346.5mm
- Maximum Thrust: 2.5kN
- Tool Weight: 1.83kg
- Tool Material: Glass filled nylon handle, anodised aluminium barrel
- Certificates: ISO, REACH, CE, EN
- Packaging Options: 1 per box

WEB LINKS:

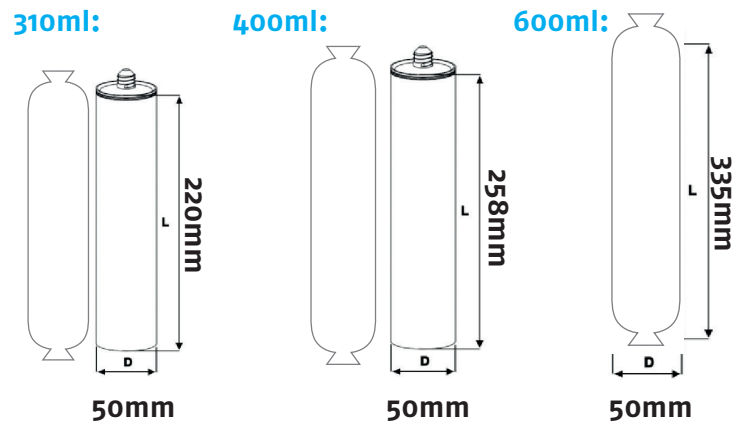
- Academy video
www.pccox.co.uk/en/cox-academy
- Spare parts diagram
www.pccox.co.uk/en/exploded-diagrams

OTHER MODELS AVAILABLE:

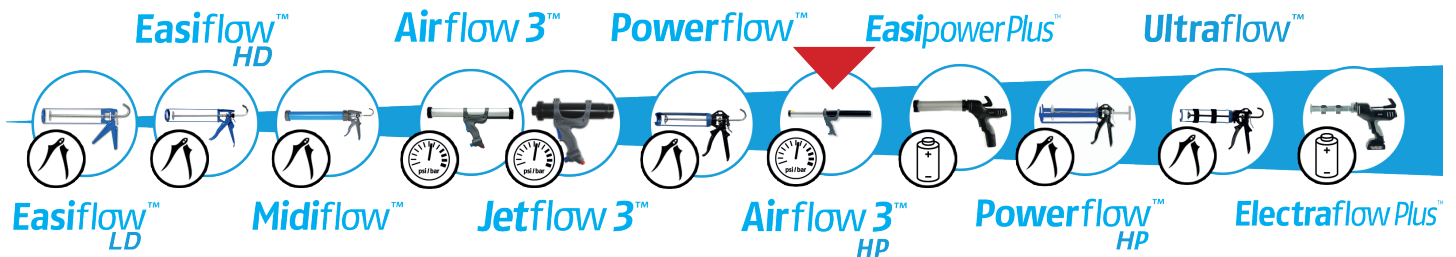
- Airflow 3 Sachet
- Airflow3 Cartridge
- Airflow 3 Combi
- Airflow 3 Compact Combi



CARTRIDGES/SACHETS:



PRODUCT RANGE BY POWER:



PC Cox Ltd., Turnpike Road, Newbury, Berkshire, RG14 2LR
 T Sales +44 (0) 1635 264500 F +44 (0) 1635 264555
 E sales@pccox.co.uk
 www.pccox.co.uk



©PC Cox Ltd. 2014. Cox is a trademark of PC Cox Ltd. Every effort has been made to ensure that the information contained in this leaflet was correct at the time of going to press. However, the company retains the right to change any specification without notice, in line with the company's policy of continual product development.