

# Technical data sheet



Product: ELECTRAFLOW

Manufacturer: MEDMIX

Product group: KLEBSTOFF

Article group: KLEBEPISTOLE

Download: 01.05.2026

## COX™ ELECTRAFLOW™ PLUS COMBI 600ML

This data sheet was provided to you by Tewipack Uhl GmbH. The company tewipack Uhl GmbH assumes no responsibility for the topicality and the Accuracy of the information contained. The properties of the products can vary due to various influences such as composition and condition of the Substrate, impurities in or on the substrate, temperature and humidity at the Change storage and environmental conditions during use. Using this product in combination with other material, the customer is responsible for to check through our own tests whether the product is suitable for the planned combination and whether this combination delivers the expected results

Tewipack Uhl GmbH  
Industriestraße 15  
D-75382 Althengstett

Telephone:  
+49(0)7051/9297-0  
Fax:  
+49(0)7051/9297-99

E-Mail:  
info@tewipack.de  
Website:  
www.tewipack.de

Managing director:  
Alexander Uhl,  
Michael Uhl  
HRB 330424  
Amtsgericht  
Stuttgart

Bank details:  
Sparkasse  
Sindelfingen  
Pforzheim  
Calw  
BLZ 666 500  
85  
Konto 17 787

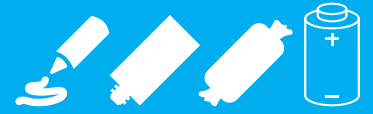
Commerzbank  
Sindelfingen  
BLZ 603 400 71  
Konto 8 001 166

Vereinigte  
Volksbank AG  
Böblingen  
BLZ 603 900 00  
Konto 80 089  
003

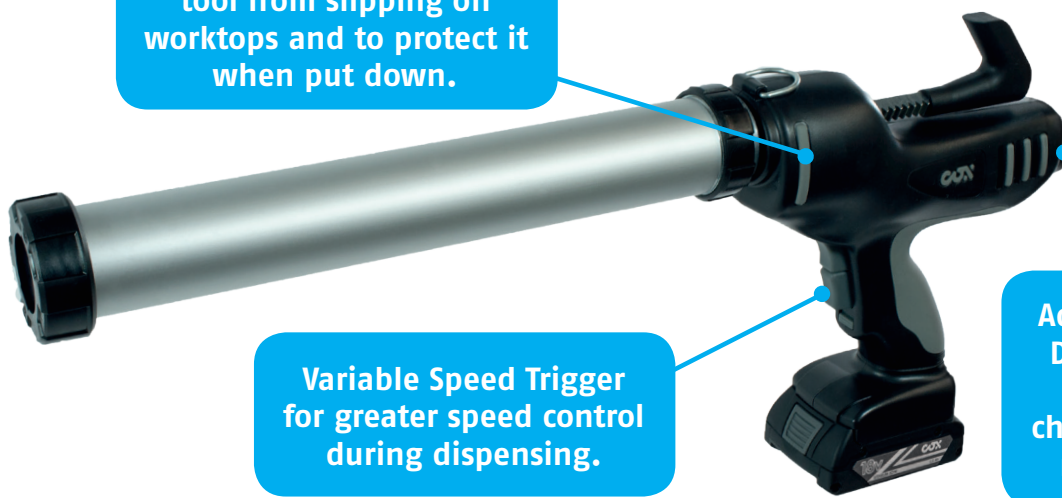
Postbank  
Stuttgart  
BLZ 600 100  
70  
Konto 146  
294 708

# Electraflow Plus<sup>™</sup> COMBI 600ml

A single component battery powered bead applicator for cartridges & sachets



Rubber rest pads to prevent tool from slipping off worktops and to protect it when put down.



Variable Speed Trigger for greater speed control during dispensing.

Adjustable Speed Dial from 1(low) to 9(high) for choosing speed of material flow.

## PRODUCT FEATURES:

- Adjustable Speed Dial from 1(low) to 9(high) for choosing speed of material flow.
- Variable Speed Trigger for greater speed control during dispensing. Very useful for inexperienced operators.
- Maximum rack speed of 8.0mm/sec which gives higher material output.
- Sophisticated tool control to protect mechanical parts and tool electronics under high load conditions (3.5kN).
- Rubber overmouldings for improved grip and comfort.
- Rubber rest pads to prevent tool from slipping off worktops and to protect it when put down.
- Auto-reverse function to stop material flow when trigger is released.
- Rapid battery charge; within 30mins (0-100%).
- Universal charger for worldwide use.
- Rotating aluminium barrel that accommodates both sachets and cartridges. Easy to handle in tight spaces.
- Overload shut off function to prevent damage of the tool.
- Curved rod (ladder hook) for convenient tool storage.

The **Cox Electraflow Plus Combi** is part of a range of high-powered battery applicators. Designed for use with medium to high viscosity sealants and adhesives, the Electraflow Combi is ideal for professional and specialist trade users.

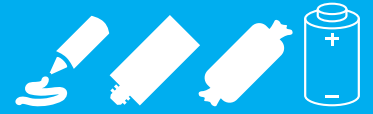
For more information call +44(0)1635 264500  
Or visit [www.pccox.co.uk](http://www.pccox.co.uk)



The original

TECHNICAL DATASHEET

# Electraflow Plus™ COMBI 600ml



A single component battery powered bead applicator for cartridges & sachets

## APPLICATIONS:

- For medium to high viscosity
- Cartridge/sachet: 1-component
- Cartridge volumes: 310ml & 400ml
- Sachet volumes: 310ml, 400ml & 600ml

## SPECIFICATIONS:

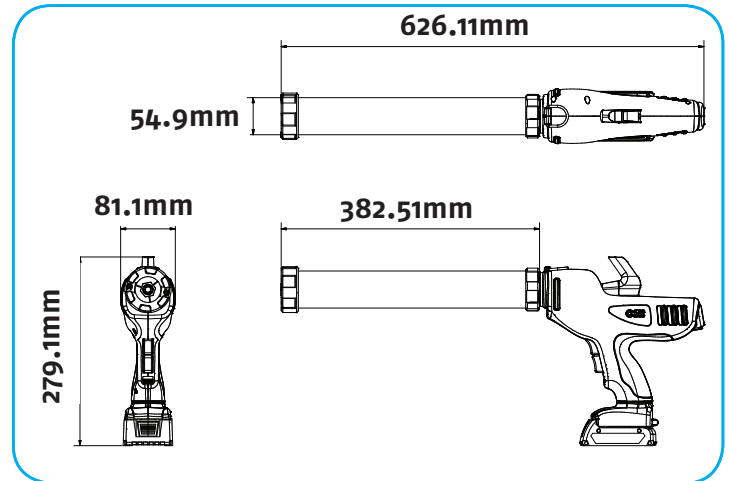
- Voltage: 18v
- Battery Capacity (Ahr): 1.5 & 3.0
- Battery Charge Time: 30 minutes
- Battery Type: Li Ion
- Barrel Length: 382.51mm
- Max Force (Plunger): 3.5kN
- Tool Weight: 2.53kg (with 1.5Ah battery)
- Barrel Material: Anodised aluminium
- Handle Material: Base Moulding = Polycarbonate (PC)  
Acrylnitrile-butadiene-styrene (ABS)  
Soft Grip Overmould = Thermoplastics elastomers (TPE)
- Certificates: CE; IEC60335; UL, C-Tick, ISO, REACH
- Packaging Options: 1 per carton / plastic carry case

## WEB LINKS:

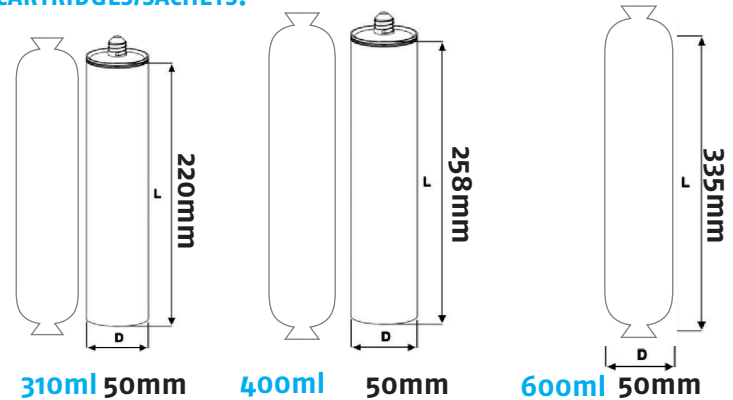
- Images  
[www.pccox.co.uk/en/electraflowplus](http://www.pccox.co.uk/en/electraflowplus)
- Academy video  
[www.pccox.co.uk/en/cox-academy](http://www.pccox.co.uk/en/cox-academy)
- Spare parts diagram  
[www.pccox.co.uk/en/exploded-diagrams](http://www.pccox.co.uk/en/exploded-diagrams)

## OTHER MODELS AVAILABLE:

- Electraflow Plus US Quart
- Electraflow Plus Floor Dispensers
- Electraflow Plus 2 component
- Electraflow Plus Cartridge



## CARTRIDGES/SACHETS:



## PRODUCT RANGE BY POWER:



PC Cox Ltd., Turnpike Road, Newbury, Berkshire, RG14 2LR  
 T Sales +44 (0) 1635 264500 F +44 (0) 1635 264555  
 E sales@pccox.co.uk  
 www.pccox.co.uk



©PC Cox Ltd. 2016 Cox is a trademark of PC Cox Ltd. Every effort has been made to ensure that the information contained in this leaflet was correct at the time of going to press. However, the company retains the right to change any specification without notice, in line with the company's policy of continual product development.

