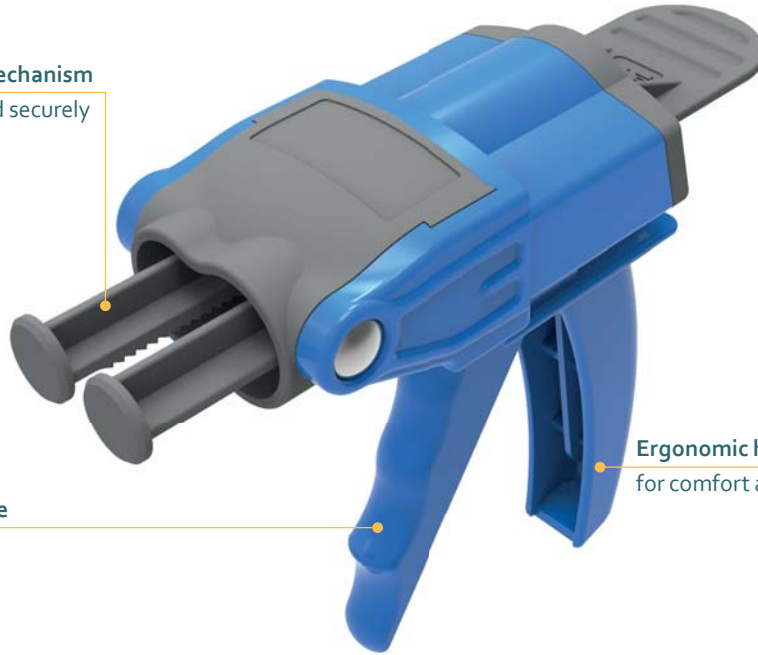


MPD

50 ML CARTRIDGE DISPENSER

Simple breech loading mechanism ensures cartridges are held securely



Minimum trigger pressure for effortless use

Ergonomic handle and trigger provide for comfort and minimum fatigue

Model shown: MPD 50 mL

FEATURES

- Engineered to provide high thrust
- Simple breech loading mechanism
- Customization possible

BENEFITS

- Easy comfortable operation
- Ensures cartridges are held securely
- Customer labelling

APPLICATIONS



Bonding

PRODUCT BY RANGE



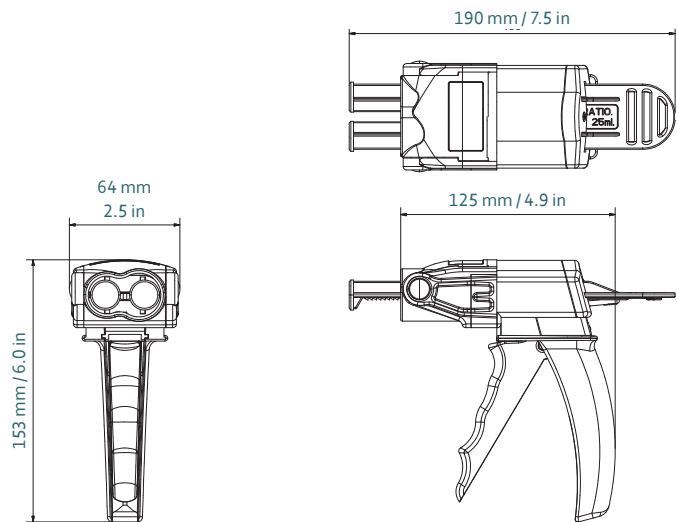
MPD

THE MPD HAS BEEN ENGINEERED TO PROVIDE HIGH THRUST FOR MAXIMUM OPERATION, THE LIGHTWEIGHT COMPACT DESIGN HAS AN SIMPLE LOADING BREECH GIVING YOU FULL CARTRIDGE SUPPORT FOR EFFORTLESS DISPENSING.

SPECIFICATIONS

- Weight: 0.2 kg / 0.4 lbs
- Frame Length: 125 mm / 4.9 in
- Maximum Thrust: 3.5 kN
- Handle Material: Plastic
- Frame Material: Plastic
- Tool Component Approvals: REACH
- Cartridge Capacity: 50 mL (1.7 oz)
- Cartridge Ratio: 1:1, 2:1, 4:1, 10:1
- Mechanical Advantage Ratio: 16:1
- Viscosity: Medium/High
- Standard Color: Grey/Blue
- Customized Versions: Yes

DIMENSIONS



Part number	Article number	Packaging
DM2C 050-01-r16-001	178308 (1:1) / MPD-1 (US)	50 per Box
DM2C 050-04-r16-001	178310 (4:1) / MPD-3 (US)	50 per Box
DM2C 050-MR-r16-001	178315 (1:1, 2:1, 4:1, 10:1) / MP25 (US) multi-ratio	50 per Box

MATCHING MIXPAC™ SIDE-BY-SIDE CARTRIDGES

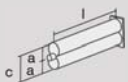


A-System Cartridge
50 mL 1:1, 2:1, 4:1, 10:1 / PP/PA



B-System Cartridge
50 mL 1:1, 2:1, 4:1 / PP/PA

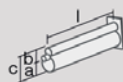
COMPATIBLE SIDE-BY-SIDE CARTRIDGES



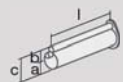
Rectangular Flange Cartridge
50 mL / 1:1 PP/PBT



Rectangular Flange Cartridge
50 mL / 2:1 PP/PBT



Rectangular Flange Cartridge
50 mL / 4:1 PP/PBT



Rectangular Flange Cartridge
50 mL / 10:1 PP/PBT

1:1	mm	inch
l	99.7	3.93
a	Ø 21.0	Ø 0.83
c	46.0	1.81

2:1	mm	inch
l	108.5	4.27
a	Ø 25.0	Ø 0.89
b	Ø 18.0	Ø 0.71
c	46.0	1.81

4:1	mm	inch
l	108.5	4.27
a	Ø 25.0	Ø 0.89
b	Ø 13.0	Ø 0.51
c	46.0	1.81

10:1	mm	inch
l	102.0	4.02
a	Ø 30.0	Ø 1.18
b	Ø 10.8	Ø 0.43
c	44.0	1.73

CONVERSION KITS

MATCHING ACCESSORIES