

# Technical data sheet



Product: MM25

Manufacturer: HENKEL KGAA

Product group: KLEBSTOFF

Article group: PRODUKTKATALOG

Download: 12.06.2026

## LOCTITE MM25 DUAL ROTOR PUMP 4.0 LC

This data sheet was provided to you by Tewipack Uhl GmbH. The company tewipack Uhl GmbH assumes no responsibility for the topicality and the Accuracy of the information contained. The properties of the products can vary due to various influences such as composition and condition of the Substrate, impurities in or on the substrate, temperature and humidity at the Change storage and environmental conditions during use. Using this product in combination with other material, the customer is responsible for to check through our own tests whether the product is suitable for the planned combination and whether this combination delivers the expected results

Tewipack Uhl GmbH  
Industriestraße 15  
D-75382 Althengstett

Telephone:  
+49(0)7051/9297-0  
Fax:  
+49(0)7051/9297-99

E-Mail:  
info@tewipack.de  
Website:  
www.tewipack.de

Managing director:  
Alexander Uhl,  
Michael Uhl  
HRB 330424  
Amtsgericht  
Stuttgart

Bank details:  
Sparkasse  
Sindelfingen  
Pforzheim  
Calw  
BLZ 666 500  
85  
Konto 17 787

Commerzbank  
Sindelfingen  
BLZ 603 400 71  
Konto 8 001 166

Vereinigte  
Volksbank AG  
Böblingen  
BLZ 603 900 00  
Konto 80 089  
003

Postbank  
Stuttgart  
BLZ 600 100  
70  
Konto 146  
294 708

The volumetric dual rotor dispenser applies 2-part Loctite® adhesives, like MMAs, Epoxies, PU or Silicones with high repeatability.

The limit of viscosity is approx. 200,000 mPas.

Applications include drop or bead dispensing or potting.

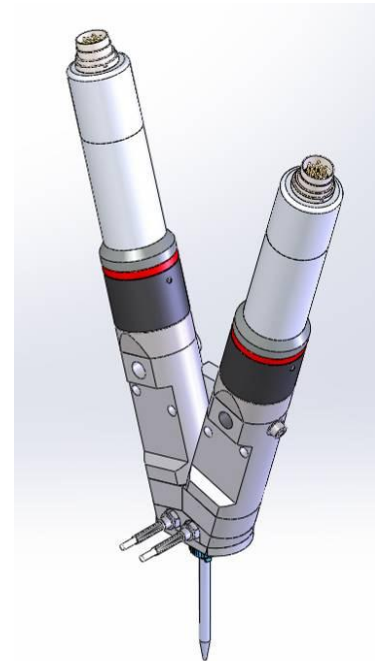
Do not operate the dispenser in an explosive atmosphere.

The dispenser is a rotating displacement system.

It consists of a rotor and a stator.

Rotation of the rotor in the stator generates a flow that is proportional to rotary angle, and so flow is dependent on rotation speed.

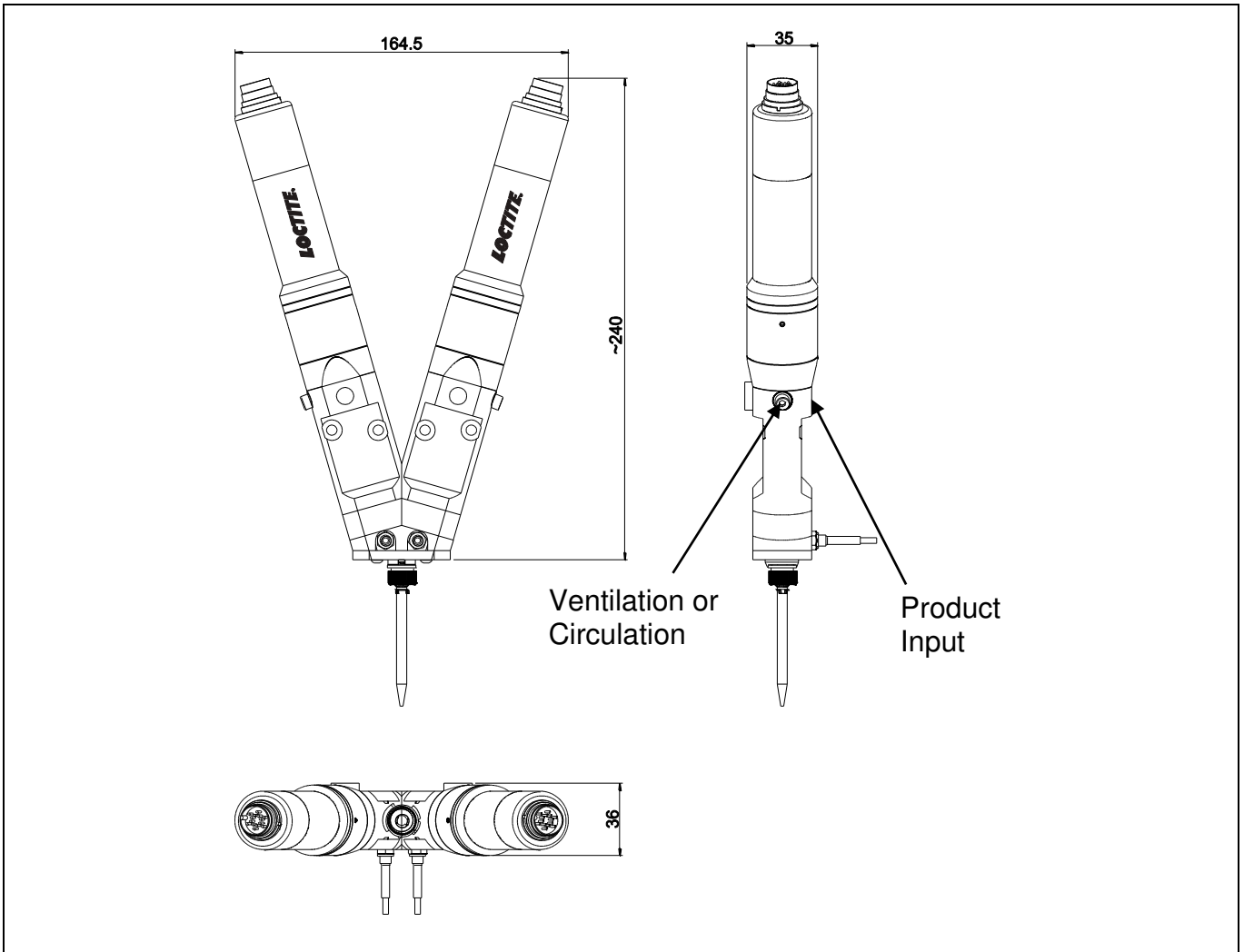
In order to allow for an easy cleaning and replacement of parts in the outlet section of the dispenser, the outlet can be disassembled without dismantling the whole pump.



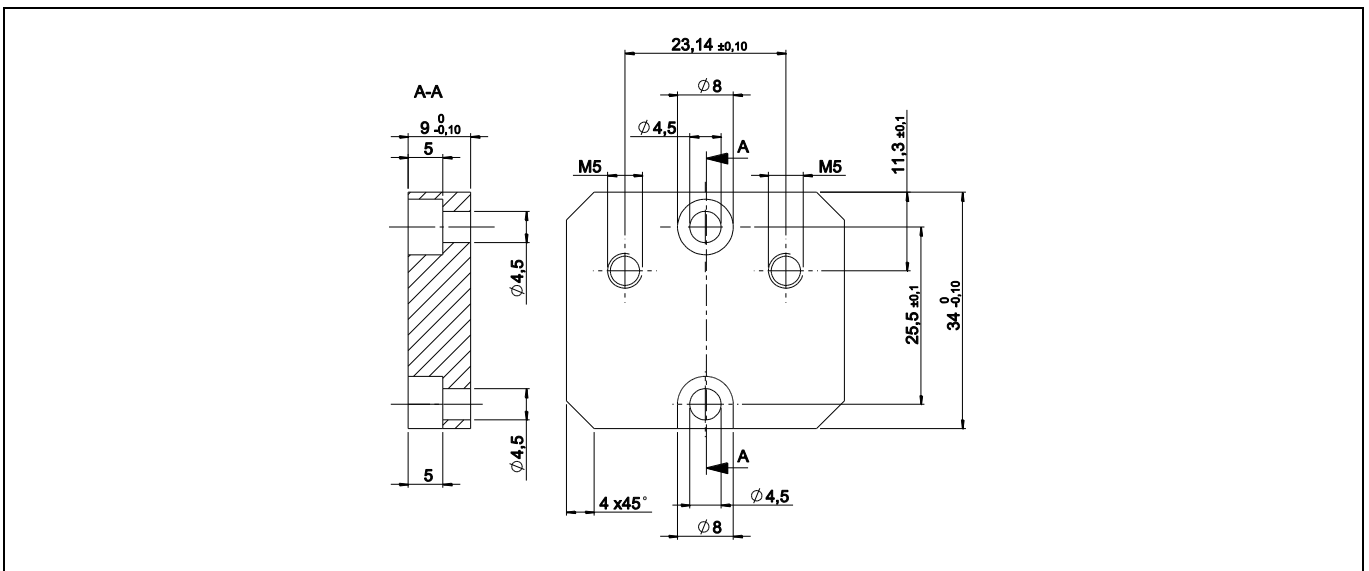
### Technical Data

Product group:	2-part MMA, Epoxy, Silicone, Polyurethane
Test reports available for products:	Loctite® Speedbonder HF8600, HF 6005
Control device:	Loctite® Controller 97150 (2 needed) / 97160
Minimum dispensing quantity:	0,005 ml each pump
Theoretical volume flow:	0,1 to 6 ml/min each pump
Accuracy ml±, absolutely	±1%
Mixing ratio:	1:1 to 2:1; others on request
Operating pressure (Input):	0 bar min. for self leveling products 20 bar max.
Dispensing pressure (Output):	Max. 40 bar (Observe burst pressure of static mixer!)
Intrinsic tightness:	approx. 2 bar
Product inlet:	G1/8" Witworth pipe thread (DIN ISO 228)
Connector for static mixer:	"S" type mixer
Connector for pressure sensor:	M4 both sides
Stator material:	Perfluoro elastomer (FFKM)
Storage temperature:	+10°C to +40°C (+50°F to +104°F), dry and dust-free
Operating temperature:	+10°C to +40°C (+50°F to +104°F)
Weight:	approx. 1.7 kg
Order no.:	1774437

# Space Requirement



# Mounting Plate (supplied)



**Note:**

The data contained herein are furnished for information only and are believed to be reliable. We cannot assume responsibility for the results obtained by others over whose methods we have no control. It is the user's responsibility to determine suitability for the user's purpose of any production methods mentioned herein and to adopt such precautions as may be advisable for the protection of property and of persons against any hazards that may be involved in the handling and use thereof. In light of the foregoing, Henkel AG & Co. KGaA specifically disclaims all warranties expressed or implied, including warranties of merchantability or fitness for a particular purpose, arising from sale or use of Henkel AG & Co. KGaA's products. Henkel AG & Co. KGaA specifically disclaims any liability for consequential or incidental damages of any kind, including lost profits. The discussion herein of various processes or compositions is not to be interpreted as representation that they are free from domination of patents owned by others or as a license under any Henkel AG & Co. KGaA patents that may cover such processes or compositions. We recommend that each prospective user test his proposed application before repetitive use, using this data as a guide. This product may be covered by one or more United States or foreign patents or patent applications.