

MIXPAC™ DMA/DMB

50/75 ML CARTRIDGE DISPENSER FOR A- AND B-SYSTEM

Cartridge Support

Flap designed for maximum cartridge support and for easy cartridge exchange



Release Button

Easily accessible with one hand

Trigger

Dual drive to ensure even high viscosity materials maintain their mixing ratio

Ergonomic Handle

For maximum comfort

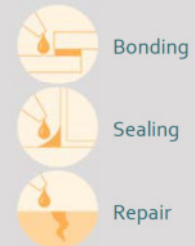
FEATURES

- Exchangeable plunger system
- Allotted surface for logo
- Ergonomically designed

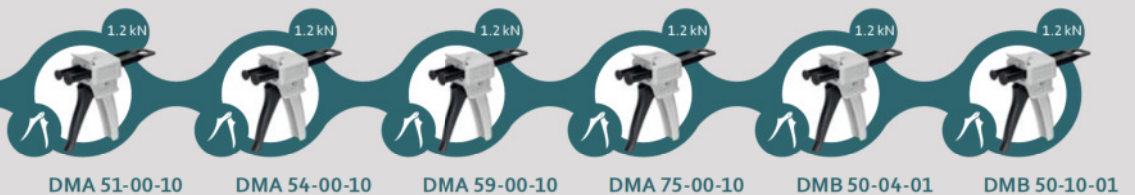
BENEFITS

- Can be quickly converted into all 50mL and 75 mL ratios for A- and B-systems
- The tool can be customized
- For comfortable and long working times

APPLICATIONS



PRODUCT BY RANGE



DMA 51-00-10

DMA 54-00-10

DMA 59-00-10

DMA 75-00-10

DMB 50-04-01

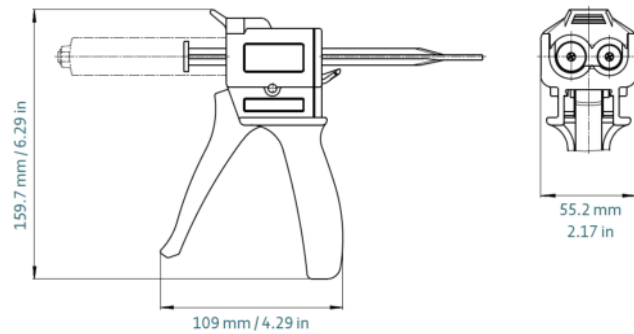
DMB 50-10-01

THE MIXPAC™ DMA/DMB IS A MANUAL LIGHTWEIGHT AND STURDY 2-COMPONENT DISPENSER DESIGNED FOR EASY HANDLING AND PRECISE DISPENSING.

SPECIFICATIONS

- Weight 184 g / 0.41 lbs
- Length: 109 mm / 4.3 in
- Tool material: PP & reinforced nylon
- Cartridge capacity: 50/75 mL
- Cartridge ratio: 1:1/2:1/4:1/10:1

DIMENSIONS



Part number	Article number	Ratio				Packaging
		1:1	2:1	4:1	10:1	
DMA 51-00-10	101875	✓	✓			
DMA 54-00-10	101883	✓	✓	✓		
DMA 59-00-10	112790	✓	✓		✓	Packed individually 64 units per master carton (50 mL)
DMA 75-00-10	111746	✓				Packed individually 32 units per master carton (75 mL)
DMB 50-04-01	116795			✓		
DMB 50-10-01	116794				✓	

MATCHING MIXPAC™ SIDE BY SIDE CARTRIDGES

A-SYSTEM



B-SYSTEM



CONVERSION KITS

PLA 050-01, PLA 050-04, PLA 050-10, PLA 075-01, PLB 50-04, PLB 50-10, see page 16.

MATCHING ACCESSORIES

All accessories are displayed on page 16.